



Stop the Noise!

Tired of those irritating sounds that are transmitted over your microphones due to incidental impact and surface noise? ASTATIC has the answer!

ASTATIC introduces the GSM-1 shock isolation mount, a major advancement in noise reduction technology.

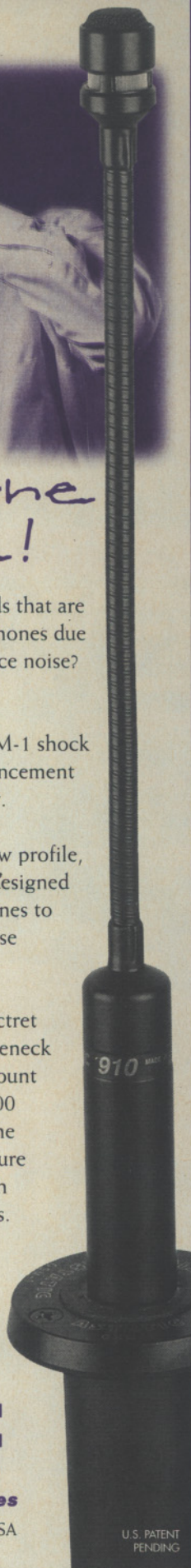
The ASTATIC GSM-1 is a low profile, small diameter shock mount designed for mini-gooseneck microphones to reduce impact and surface noise over 20dB.

Recommended ASTATIC electret condenser cardioid mini-gooseneck microphones for the shock mount are the 910, 915, 920. The 900 mini-goosenecks are part of the 900 Series family, which feature a full line of microphones with matching audio characteristics.

Talk to your ASTATIC representative or call 1-800-421-3161 for more information.

ASTATIC
Microphones
and Installation Accessories

Made with pride in Conneaut Ohio, USA



U.S. PATENT
PENDING

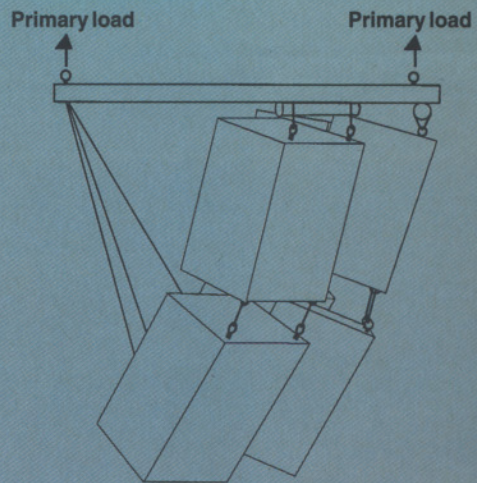


Figure 12. When loading loudspeaker suspension grids, do not torque the grid. Keep the grid flat with no slip joints, and distribute the load over the grid suspension points.

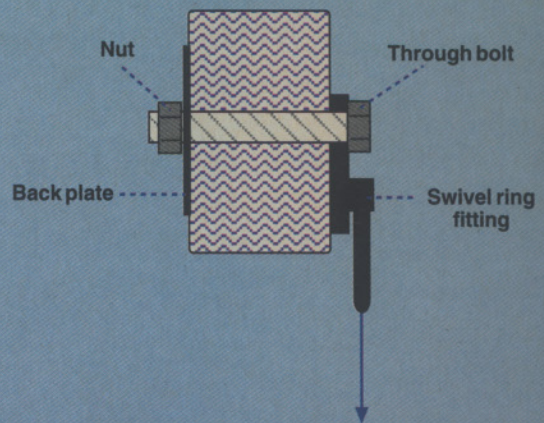


Figure 13. For wooden beam attachment, a swivel ring fitting is attached to a wooden beam using graded hardware.

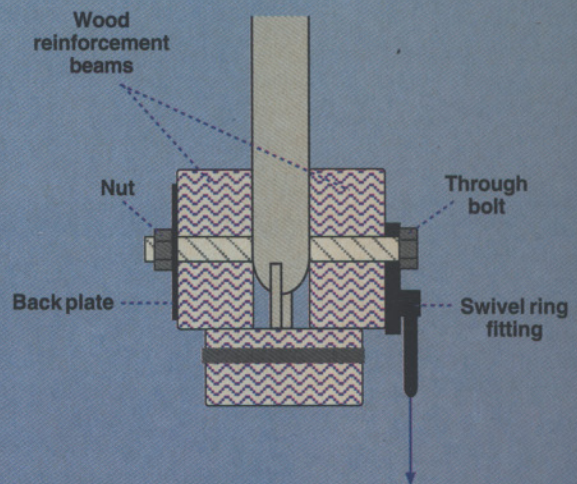


Figure 14. For joist truss attachment, a swivel ring fitting is attached to a wood and metal joist truss using graded hardware and wooden reinforcement beams.